

# Hi-Techno Pump

## IX-B-S6



**High output, high precision, high controllability**  
**High efficiency brushless motor driven diaphragm type metering pumps**

A new stainless steel type was added to the diaphragm type metering pump IX-B series which adopted a brushless motor with high efficiency and high controllability.

### Unique Motor Design

The IX-B pumps use brushless DC (BLDC) motors to control the pump stroke speed. Many similar metering pumps use a stepper-motor based design, however the efficiency of the BLDC motor provides a higher power output in a smaller package and allows the IX-B pumps to achieve 45L/H discharge flowrates.

### Flexible Installation (Patent Pending)

The IX-B Pumps have been designed to be installed into various locations. The control unit can easily be repositioned by customers on-site. ①

### LED Status Bar

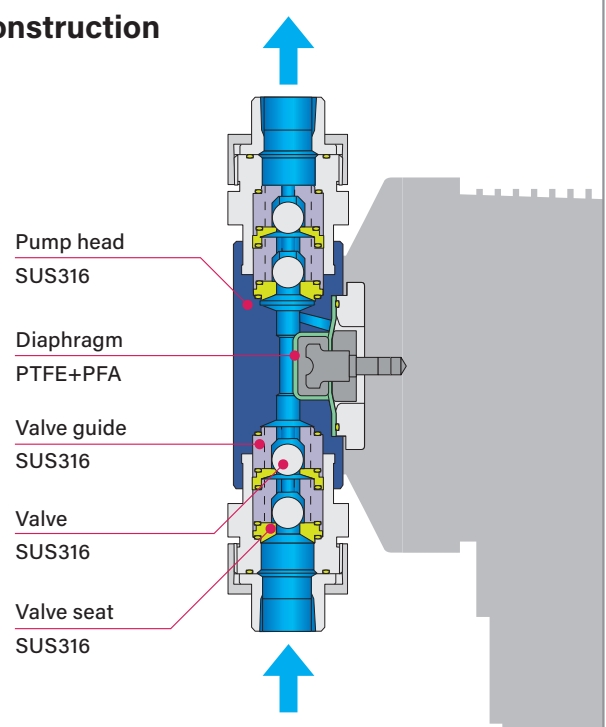
A large LED status bar provides simple visual indication of operating conditions at a glance. It is easily visible to see the pump status at a distance or in dark locations. ②

- ① : Upward 4 directions (every 90 degrees)
- ② : It's an image of lighting.

Note: IX-B-S6 can not be wall mounted installation.



### Construction



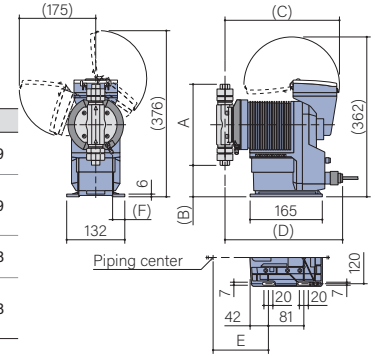
Identification

<b>IX</b>	<b>-</b>	<b>B</b>	<b>007</b>	<b>S6</b>	<b>R</b>	<b>-</b>	<b>E</b>	<b>□□</b>
①		②	③	④	⑤		⑥	

- ① Drive unit  
B
- ② Pump size  
007.....7.5L/H  
015.....15L/H  
030.....30L/H  
045.....45L/H
- ③ Liquid-end material  
S6  
Please refer to above figure.
- ④ Connection  
R.....Thread (Rc)  
N.....Thread (FNPT)  
FJ.....Flange (JIS)  
FD.....Flange (DIN)  
FA.....Flange (ANSI)
- ⑤ Type of power code  
E.....Europe  
U.....U.S.A. 115V  
U2.....U.S.A. 230V  
A.....Australia  
J.....Asia
- ⑥ Special arrangement code

Dimensions (mm)

Moel		A	B	C	D	E	F
IX-B (007/015) S6	R	161	82	260	275	94.5	29
	N						
	FJ	247	39	260	275	94.5	29
	FD FA						
IX-B (030/045) S6	R	183	72	262	278	97	28
	N						
	FJ	269	29	262	278	97	28
	FD FA						



Specifications

Pump

Model	Capacity L/h	Max. Pressure MPa	Power consumption W	Current A	Connection	Mass kg
IX-B007 S6	0.0075 - 7.5 <sup>Note</sup>	1.7	17	0.4	Rc3/8	4.5
					3/8 FNPT	
		1.0			JIS 10K 15A	6.0
					DIN PN10 DN15 ANSI 150lb 1/2"	
IX-B015 S6	0.015 - 15 <sup>Note</sup>	1.0	17	0.4	Rc3/8	4.5
					3/8 FNPT	
		1.0			JIS 10K 15A	6.0
					DIN PN10 DN15 ANSI 150lb 1/2"	

Model	Capacity L/h	Max. Pressure MPa	Power consumption W	Current A	Connection	Mass kg	
IX-B030 S6	0.030 - 30 <sup>Note</sup>	0.6	19	0.5	Rc3/8	5.0	
					3/8 FNPT		
					1.0	JIS 10K 15A	6.5
						DIN PN10 DN15 ANSI 150lb 1/2"	
IX-B045 S6	0.045 - 45 <sup>Note</sup>	0.4	19	0.5	Rc3/8	5.0	
					3/8 FNPT		
					1.0	JIS 10K 15A	6.5
						DIN PN10 DN15 ANSI 150lb 1/2"	

Note: Discharge flow rate may be less than set value.

- The above is the value at rated voltage, ambient temperature and clear water.
- Liquid temperature range: 0 - 80 °C (No viscosity change, Non freezing, No slurry)  
0 - 50 °C (32 - 122 °F) for U.S.A. type

Controller

Operation mode	MAN (Manual)	Use the UP (↑) and DOWN (↓) keys to set a flow rate.	
	EXT	Analog fixed operation	4-20, 0-20, 20-4, 20-0mA (Proportional to the discharge rate)
		Analog variable operation	Programmable 2-point setting (Input signal DC 0-20 mA, proportional to the discharge rate)
		Pulse control <sup>Note1</sup>	0.000625mL/PLS - 15.000000mL/PLS (IX-B007), 0.001250mL/PLS - 30.000000mL/PLS (IX-B015) 0.002500mL/PLS - 60.000000mL/PLS (IX-B030), 0.003750mL/PLS - 90.000000mL/PLS (IX-B045)
		Batch control <sup>Note1</sup>	0.625mL/PLS - 15.000L/PLS (IX-B007), 1.250mL/PLS - 30.000L/PLS (IX-B015) 2.500mL/PLS - 60.000L/PLS (IX-B030), 3.750mL/PLS - 90.000L/PLS (IX-B045)
		Interval batch control <sup>Note1</sup>	Day: 0 - 9, Hour: 0 - 23, Minute: 1 - 59 0.625mL/PLS - 15.000L/PLS (IX-B007), 1.250mL/PLS - 30.000L/PLS (IX-B015) 2.500mL/PLS - 60.000L/PLS (IX-B030), 3.750mL/PLS - 90.000L/PLS (IX-B045)
Profibus control <sup>Note7</sup>	Communication protocol: Profibus-DP-compliant international standard: EN50170 (IEC61158)		
Monitors	LCD	16 digits x 2 lines, backlit character LCD	
	LED	White: When the pump is stopped etc., Green: During pump operation etc., Orange: When entering Pre-Stop etc., Red: When alarm such as abnormal pressure detection etc.	
Operation	Keypads	(⊙)Start/Stop, MENU, ESC, (↵)Enter, (↑)Up, (↓)Down, (←)Left and (→)Right keys	
Control function	STOP	Operation stops with input contact <sup>Note2</sup>	
	PRIME	Max spm operation by pressing the (↑)UP and (↓)DOWN keys	
	Keylock	Password setting to lock and release operation keys	
	Interlock	Operation stops with input contact <sup>Note2</sup>	
	AUX	Pump operates at the set discharge rate with input contact.	
	Maximum discharge rate	Arbitrarily set the upper discharge limit in each operation mode.	
	Buffer memory function	Store the number of pulses entered in batch operation.	
Input	Analog input value display	Display the analog input value.	
	STOP/Pre-Stop, AUX, Interlock	Non-voltage contact or open collector <sup>Note3</sup>	
	Analogue	0 - 20mADC (Internal resistance is 200Ω.)	
Output	Pulse	Non-voltage contact or open collector Max pulse frequency is 100Hz. (Pulse ON: 5 msec or more)	
	Alarm1 (OUT1)	Non-voltage contact (mechanical relay): AC 250 V, 3 A (resistive load) Each output item is selected by Enable/Disable. (Initial value: Leak Detection only Enable) Stop/Pre-Stop/Interlock/Leak Detection/Motor Overload/Batch Complete <sup>Note4</sup> /Drive Error	
	Alarm2 (OUT2)	Non-voltage contact (photo MOS relay): AC/DC 24 V, 0.1 A (resistive load) Each output item is selected by Enable/Disable. (Initial value: Interlock only Enable) Stop/Pre-Stop/Interlock/Leak Detection/Motor Overload/Batch Complete <sup>Note4</sup> /Drive Error/Volume Prop. PLS <sup>Note5</sup>	
	External power supply	DC12V 30mA or less	
Power voltage <sup>Note6</sup>	Current	DC 0-20 mA, Two-point setting (allowable load resistance: 300 Ω)	
		100-240VAC 50/60Hz	

Note1: The minimum settings for pulse operation, batch operation, and interval batch operation are the flow rates per stroke corrected by calibration.

Also, the change rate of the setting value per pulse is the flow rates per stroke corrected by calibration.

Note2: Pump operation or pump stop can be selected at contact input.

Note3: The maximum voltage and current applied to the contact are 12 V and 5 mA. If you use a contact such as a relay, the minimum applicable load must be 5 mA or less.

Note4: When Batch Complete (batch operation complete output) is set to Enable, the other functions will be set to Disable.

Note5: When Volume Prop. PLS output is set to Enable, the other functions will be set to Disable.

Note6: Do not apply voltage out of the specified range. Doing so may cause malfunction or failure. The allowable voltage supply range is 90-264VAC only.

Note7: When conducting Profibus bus operation, a separate Profibus Conversion BOX (option) is required.



<https://www.iwaki.it>

IWAKI Europe Branch Italy, Via Stazione 7, 36035 Marano Vicentino (VI), Italy  
TEL: +39-0445/561-219 FAX: +39-0445/569-088 E-Mail: sales@iwaki.de

⚠ Precauzioni per un utilizzo sicuro:  
Per un utilizzo corretto della pompa, leggere prima attentamente il manuale di istruzioni.

⚠ Aspetti legali legati all'esportazione.

I nostri prodotti o parti di prodotti rientrano nella categoria dei beni contenuti nell'elenco del regime internazionale di controllo delle esportazioni. In base alle regolamentazioni di controllo del Paese di destinazione potrebbe quindi essere necessaria una specifica licenza per l'esportazione dei prodotti.

Le pompe effettive possono essere diverse da quelle nelle foto. Specifiche e dimensioni possono essere modificate senza preavviso. Per ulteriori dettagli si prega di contattarci.

Non è consentito pubblicare o copiare parti del presente catalogo senza autorizzazione.